

BLEND/Z

The Smartest Lighting Control Solution

Product information 2020/21

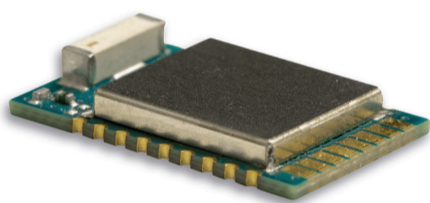


BLEND/Z

Zigbee/BLE Wireless Connectivity Module Series M7B-Q95

The ubisys wireless connectivity module series M7B-Q95 integrates Qorvo's QPG6095 low-power wireless system on chip, which comprises an ARM Cortex-M4, 512KB flash ROM, 64 KB SRAM and a multi-channel, multi-protocol radio with quasi-concurrent support for IEEE 802.15.4 (Zigbee, rf4ce, Thread) and Bluetooth Low Energy (BLE). Additional flash memory is available on the module to store over-the-air upgrade images or other data. This series provides a line-up of surface-mount modules in various common form-factors with different antenna options.

These modules come with the leading ubisys Compact7B™ Zigbee stack and pre-loaded applications, which greatly simplify the design and manufacturing of connected products. For example, ready-to-use images for typical lighting control applications are available, which can directly steer power stages using PWM signals or analogue control circuits using 0-10V signals. In addition, customized firmware can be ordered, which allows interfacing to existing digital control circuits using proprietary protocols running over UART, SPI or I²C.



„Allows for a simple start by direct connections from smart phones and tablets to lights without a hub.“



Main Features

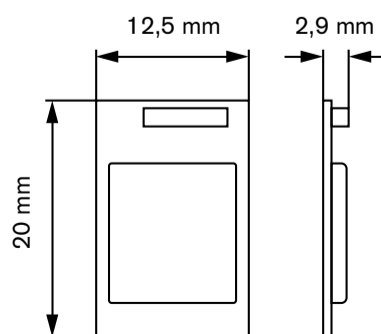
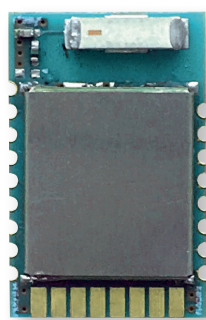
- Allows for a simple start by direct connections from smart phones and tablets to lights without a hub
- Adding a Zigbee 3.0 gateway is possible anytime to enable scalable and robust cloud-connected solutions
- Adding classic Zigbee 3.0 and Zigbee Green Power devices to the mix is also possible any time
- Mature, scalable, robust and secure Zigbee technology is the backbone of the resulting mesh network
- ZBLE enables quick and easy access to a Zigbee network without requiring IEEE 802.15.4 radio hardware

Technical Data

- Standards**
- IEEE 802.15.4
 - Zigbee 3.0
 - Bluetooth Low Energy 4.2
- Power Supply**
- 3.3V~, 50mA (peak)
- Installation**
- PCB mounting

Features

- 12 GPIO (3 analog)
- Configurable interfaces like UART, SPI or I²C
- Up to 6 PWM channels usable for RGBW or CW/WW
- Preconfigured luminaire-specific clusters (special clusters on request)
- Zigbee router

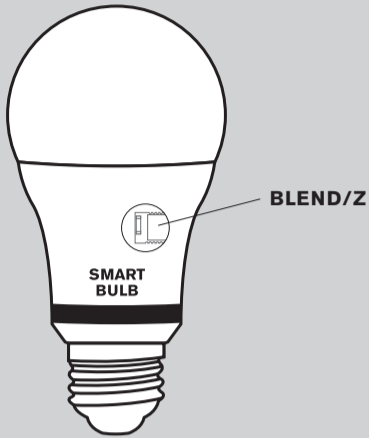


Applications

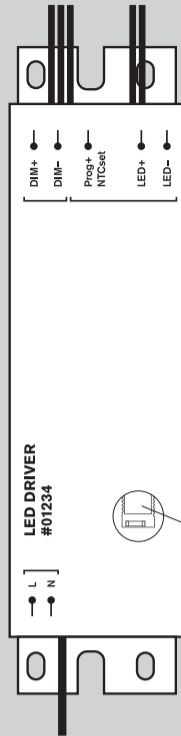
The series is available in various versions. Customer-specific adaptations are possible at any time.

Make your products Zigbee and BLE enabled by simply integrating BLEND/Z into your devices. The modules are suitable for the following applications, for example:

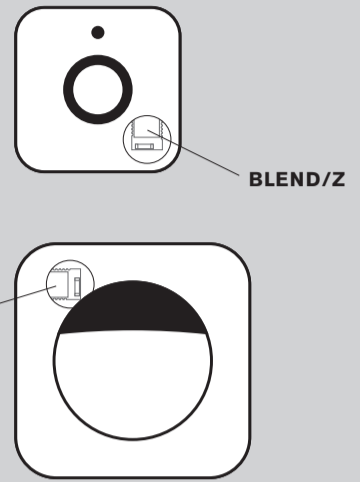
Smart bulbs



Drivers



Sensors



About ubisys

As one of the world's leading companies in the Internet of Things (IoT) industry, based in Düsseldorf (Germany), ubisys develops smart products and solutions for networked building technology and helps other manufacturers to prepare their products for the digital age.

Its broad portfolio includes core technologies like certified Zigbee Golden Unit stacks, cloud services, luminaire modules, advanced products including roller shade controllers, dimmers, smart power outlets and heating controllers as well as complete, consumer-facing solutions with gateways and apps for iOS and Android.

We attach particular importance to promote the development of the major international wireless networking standards, which we significantly influence in major positions within the Zigbee Alliance. Named „Golden Unit“ several times, we received an award from the Zigbee Alliance in 2018, honoring our contributions to standardizing and certifying the world's first Zigbee 3.0 devices.

With ubisys you can count on first-class Zigbee solutions and benefit from quality products „Made in Germany“.

ubisys®

ubisys technologies GmbH
Neumannstr. 10
40235 Düsseldorf
Germany

T +49. 211. 54 21 55 - 00
F +49. 211. 54 21 55 - 99

info@ubisys.de
www.ubisys.de
www.smarthome-store.de

© ubisys technologies GmbH.
All rights reserved.